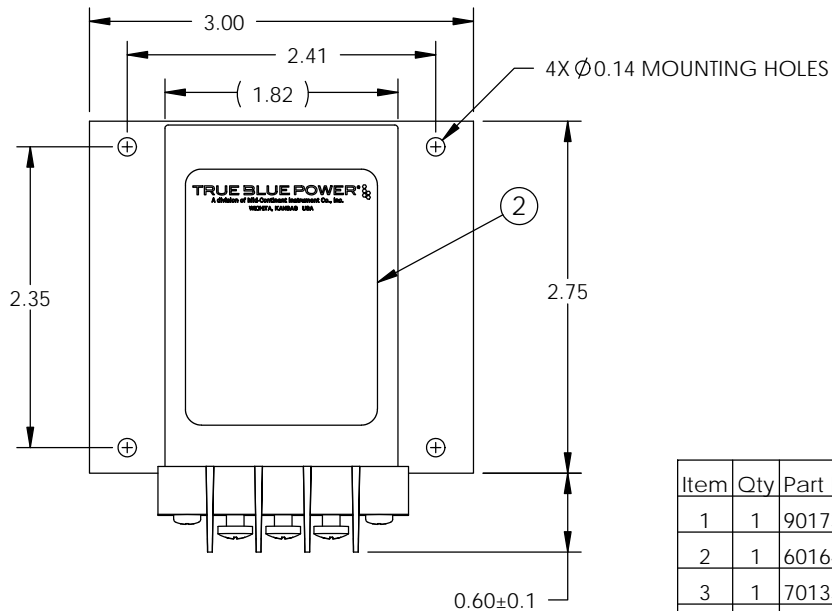
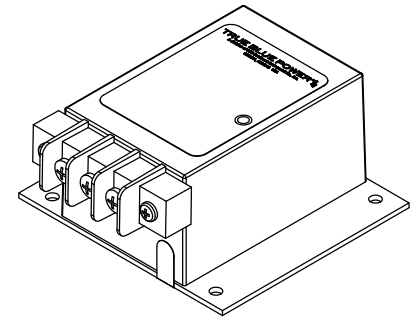
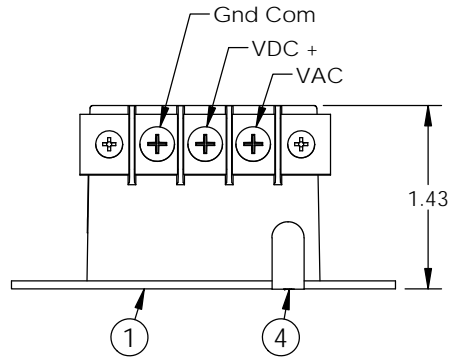
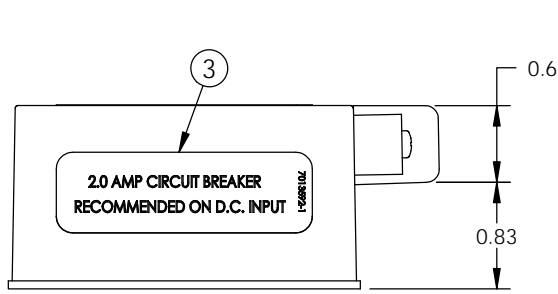


Configuration	
Dash #	
-28	As shown

Revision				
ECO	Rev.	Description	Date	Approved
		See obsolete drawing for revision history		
5702	F	Add v value of input at no load and full load to Specs	01/25/12	DDT/MKN
6184	G	Add Warranty Decal 6018956-1, add BOM	05/12/14	ScH/TKV
6708	H	Weight was 0.5 lbs.	01/03/17	ScH/IDD
6851	J	(0.60) was 0.65, (1.82) was 1.80	01/18/18	MEK/VAA



Specifications	
Model Number	MD26
Input	11-40 VDC; 0.06-0.22 A @ no load 0.44-1.80A @ full load
Start up Current	2.0 Amps max
Output	26 VAC, 400 Hz, Single Phase, 10 VA
Weight	5 oz.
Temperature	-55 deg C to +70 deg C
Humidity	0% to 95% @ 25 deg C
Altitude	-1,000 ft. to +50,000 ft.
Vibration	0.02 inch max. double amplitude; max. acceleration of mg from 5 to 55 Hz.
Protection	Protected against input transients and reverse polarity.
Modification Status	Mod 0: N/A Mod 1: Incorporates sine wave output and stable AC voltage/frequency.
Certification	FAA PMA

Item	Qty	Part Number	Description
1	1	9017365	Assy, MD26 Inverter
2	1	6016463	Nameplate, Inverter
3	1	7013592-1	Decal, Circuit Breaker
4	1	6018956-1	Decal, Warranty

UNLESS OTHERWISE SPECIFIED, ALL DIMENSIONS ARE IN INCHES.  
TOLERANCE:  
FRACTIONAL=±1/64  
.XX=±0.015  
.XXX=±0.005  
.XXXX=±0.002  
ANGULAR=±0.5°  
WEIGHT N.T.E. +5%  
BREAK ALL SHARP EDGES  
THREADS PER MIL-S-7742

DRAWN:  
SH  
06/22/92

APPROVED:  
BB  
06/22/92

This document discloses proprietary information of Mid-Continent Instrument Co., Inc. It may be reproduced or disclosed only with written permission of Mid-Continent Instrument Co. and is not to be used in any way detrimental to the interests of Mid-Continent Instrument Co., Inc.

TITLE:  
Inverter, DC-AC

SCALE: 2:3

**TRUE BLUE POWER**  
A division of Mid-Continent Instrument Co., Inc.

PART NUMBER:  
MD26

DO NOT SCALE THIS DRAWING

SHEET: 1 of 1